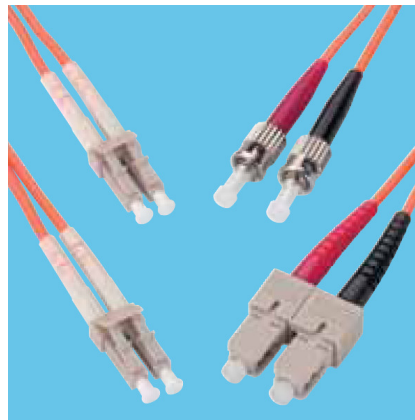


Multimode 50-µm (OM2) Optical Fiber Patch Cords

Multimode optical fiber patch cords can be used as cross-connect jumpers, equipment and work area cords. All Signamax optical fiber patch cords are manufactured using riser-grade (OFNR) cable and are 100% factory tested for insertion and return loss to ensure transmission performance per ANSI/TIA-568-C.3 standard specifications. Patch cords terminated with ST, SC, LC and MT-RJ connectors (uniform and hybrid versions) are available in duplex and simplex designs.

Cordage used in multimode fiber cords is color-coded per ANSI/TIA-598-C – 50-µm multimode cables are orange in color. Connectors with plastic bodies (SC and LC) are color-coded per ANSI/TIA-568-C.3 – 50-µm multimode connectors are black in color. Marked clips, color rings, or colored connector boots identify each end of the duplex fiber cord to designate Position A and Position B.



KEY FEATURES

- ST, SC, FC, LC, MT-RJ connectors
- Duplex and simplex versions
- Uniform and hybrid cord versions
- 100% factory transmission tested per ANSI/TIA-568-C.3
- Cordage color coding per ANSI/TIA-598-C
- Plastic body color coding per ANSI/TIA-598-C.3
- Position A/Position B markings
- Slim-profile boots with durable flexible cable strain relief

ORDERING INFORMATION

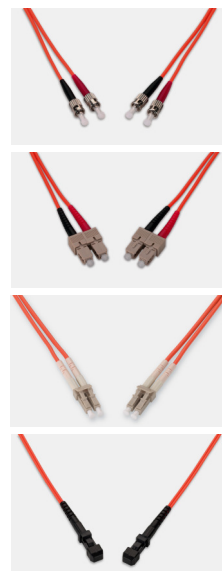
Multimode 50-µm (OM2) Optical Fiber Patch Cords

Part Number	Description
FC50-2/2-LM	ST-to-ST Duplex Multimode Fiber Patch Cord
FC50-4/4-LM	SC-to-SC Duplex Multimode Fiber Patch Cord
FC50-4/2-LM	SC-to-ST Duplex Multimode Fiber Patch Cord
FC50-9/9-LM	LC-to-LC Duplex Multimode Fiber Patch Cord
FC50-9/2-LM	LC-to-ST Duplex Multimode Fiber Patch Cord
FC50-9/4-LM	LC-to-SC Duplex Multimode Fiber Patch Cord
FC50-8/8-LM	MT-RJ-to-MT-RJ Duplex Multimode Fiber Patch Cord
FC50-8/2-LM	MT-RJ-to-ST Duplex Multimode Fiber Patch Cord
FC50-8/4-LM	MT-RJ-to-SC Duplex Multimode Fiber Patch Cord

For length substitute L in P/N:

1=1 Meter, 2=2 Meters, 3=3 Meters, 5=5 Meters, 7=7 Meters. Other lengths are available.

Cable diameter for ST and SC cords is 3.0 mm. All other connectors cable diameter is 1.8 mm.



Multimode 50-µm (OM2) Optical Fiber Patch Cord Configurator

FIBER CORD	CABLE TYPE	FIBER TYPE	JACKET TYPE	CABLE DIA.	CONNECTOR END 1	CONNECTOR END 2	LENGTH	UNIT OF MEASURE
FC	X	X	X	X	X	X	XXX	X
	D: duplex S: simplex	5: OM2	R: OFNR P: OFNP	1: 1.8 mm 3: 3.0 mm	2: ST 4: SC 5: FC 8: MT-RJ 9: LC	2: ST 4: SC 5: FC 8: MT-RJ 9: LC	001–999	F: feet M: meters

Multimode 50-µm (OM2) Optical Fiber Patch Cords

SPECIFICATIONS

- TRANSMISSION PERFORMANCE**

ANSI/TIA/EIA-568-C.3: insertion and return loss (100% tested)

- TRANSMISSION MEDIA**

Optical fiber: 50/125-µm multimode (OM2) optical fiber

- CONNECTOR TYPES**

Connector type: ST/SC/LC/FC/MT-RJ PC multimode
FOCIS (ANSI/TIA/EIA-604) compliant

- CONSTRUCTION**

- simplex or duplex fiber cordage
- thermoplastic outer jacket (OFNR-rated)
- thermoplastic strain relief

- TRANSMISSION PERFORMANCE**

Bandwidth: 850 nm: 500 MHz-km
1300 nm: 500 MHz-km
Return loss: PC ≤ -30 dB
Insertion loss: ST, SC, LC, FC: typical - 0.2 dB, max - 0.3 dB
MT-RJ: typical - 0.3 dB, max - 0.5 dB

- MECHANICAL**

Connector ferrule: ceramic
End-face radius of curvature: 10 mm (0.39 in) < R < 30 mm (1.18 in)
Apex offset: < 50 µm
Cable material: PVC OFNR
Cable jacket color: orange

- ENVIRONMENTAL**

Operation temperature: -20 °C to +70 °C (-4 °F to +158 °F)
Storage temperature: -40 °C to +80 °C (-40 °F to +176 °F)
Humidity: 95 % RH (non-condensing)

- COMPLIANCE**

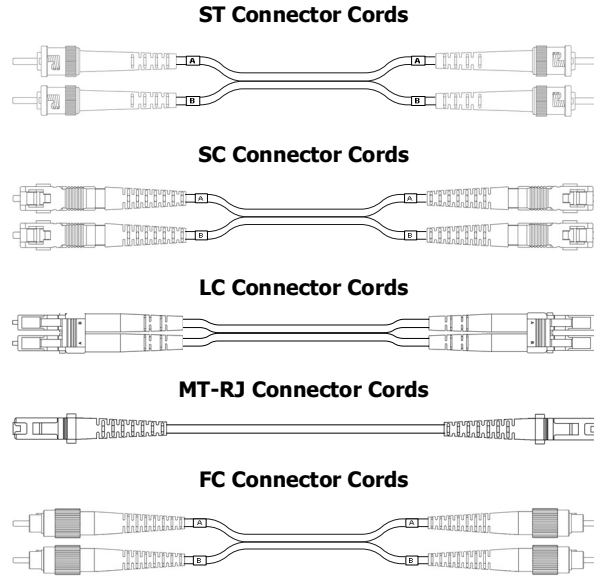
ANSI/TIA-568-C.3, ISO/IEC 11801 2nd Ed., CENELEC EN 50173, UL94V-0

- APPLICATIONS**

FDDI PMD ANSI X3.166	10BASE-SX	100BASE-SX	1000BASE-SX	10GBASE-S	Fibre Channel 100-MX-SN-I
		100BASE-FX	1000BASE-LX	10GBASE-LX4	Fibre Channel 200-MX-SN-I
				10GBASE-LRM	Fibre Channel 400-MX-SN-I
					Fibre Channel 1200-MX-SN-I

- WARRANTY**

5-year limited component warranty
10-year Signamax Link/Channel Warranty
15-year Signamax Extended Component Warranty
25-year Signamax Cabling System Warranty



RELATED PRODUCTS

Product/Product Group	Spec Sheet #
Rack Mount Optical Fiber Enclosures	PSS.RM-OFE (B-AUG-09)
Wall Mount Fiber Optic Enclosures	PSS.WM-FOE (A-AUG-07)
Multimode 62.5-µm (OM1) Optical Fiber Patch Cords	PSS.OM2-OFPC (A-SEP-09)
10G LO Multimode 50-µm (OM3) Optical Fiber Patch Cords	PSS.OM3-OFPC (A-SEP-09)
Singlemode 9-µm (OS1) Optical Fiber Patch Cords	PSS.OS1-OFPC (A-SEP-09)
Optical Fiber Keystone Connector Modules	PSS.OF-K-CM (A-AUG-09)