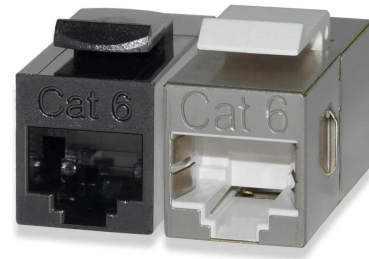


Category 6 Keystone Feed-Thru Couplers

Category 6 keystone feed-thru couplers can be used as a second piece of connecting hardware in a cross-connect when a cross-connection is needed for active equipment connection to the cabling, and as a consolidation point in the open office environment. Feed-thru couplers support TIA-568-C.2 channel transmission performance and provide a sound platform for supporting today's network technologies including Gigabit Ethernet. These high-density feed-thru couplers available in unscreened and screened versions are compatible with Signamax 24- and 48-port high- and standard-density snap-in patch panels providing flexibility in field installation.



KEY FEATURES

- Contact design provides enhanced plug-to-jack connection integrity and protects against damage caused by insertion of 4- or 6-position plugs
- Applications – cross-connections, horizontal cabling consolidation points, horizontal cabling connection point in building automation cabling
- Rated for at least 750 plug insertions providing for the highest level of system reliability
- Compatible with T568A and T568B wiring schemes

ORDERING INFORMATION

Category 6 Keystone Unscreened Feed-Thru Couplers

Part Number	Description
KRJ45/6S	Category 6 Panel-Mount Feed-Thru Coupler, Black



Category 6 Keystone Screened Feed-Thru Couplers

Part Number	Description
KRJ45/6S-SH	Category 6 Screened Panel-Mount Feed-Thru Coupler



SPECIFICATIONS

Category 6 Keystone Feed-Thru Couplers

SPECIFICATIONS

- TRANSMISSION PERFORMANCE**

ANSI/TIA/EIA-568-C.2: category 6 (1-250 MHz) channel transmission performance specifications
 ISO/IEC 11801 2nd Ed., CENELEC EN 50173: category 6 (1-250 MHz) channel transmission performance specifications

- TRANSMISSION MEDIA**

KRJ45/6S: unscreened twisted pair (U/UTP)
 KRJ45/6S-SH: unscreened (U/UTP) or screened (U/STP, F/UTP, F/STP, S/UTP, S/STP, SF/UTP, SF/STP) twisted pair

- JACK TYPE**

8p8c (8-position, 8-contact) "RJ45" type

- WIRING SCHEME**

Straight-thru – compatible with any wiring scheme up to 8 conductors

- CONSTRUCTION**

Housing: KRJ45/6S – high impact thermoplastic, ABS UL94V-0 fire retardant
 KRJ45/6S-SH – screened case: copper C2680, 0.25 mm (0.0098 in), 100 micro inches nickel plated
 contact holder: high impact thermoplastic, PBT UL94V-0 fire retardant
 Jack contacts: phosphor bronze 5100W temper wire, min 50 micro inches of gold plating over 100 micro inches nickel plating

- ELECTRICAL**

Insulation resistance: min 500 MOhm @ 100 V_{dc}
 Dielectric withstanding voltage: 1,000 V_{dc/ac} peak contact to contact @ 60 Hz for 1 min
 Spring wire contact resistance: max 20 mOhm
 DC contact resistance: max 0.1 Ohm
 Current rating: see figure

- MECHANICAL**

Insertion life: min 750 mating cycles with FCC compliant 8p8c plug
 Contact force: min 100 g each contact with FCC compliant 8p8c plug
 Plug retention force: min 50 N (11 lbf) for 60±5 s

- FOOTPRINT**

Standard keystone footprint

- MOUNTING DIMENSIONS**

W 14.6 mm x H 16.2 mm x D 29.4 mm
 W 0.58" x H 0.64" x D 1.16"

- ENVIRONMENTAL CONDITIONS**

Storage temperature: -40°C – +68°C (-40°F – 154°F)
 Operating temperature: -10°C – +60°C (-14°F – 140°F)
 Humidity: 10% – 90% RH

- COMPLIANCE**

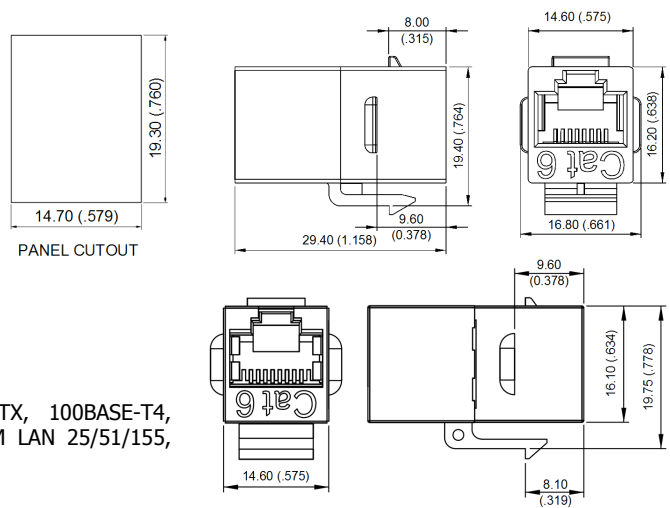
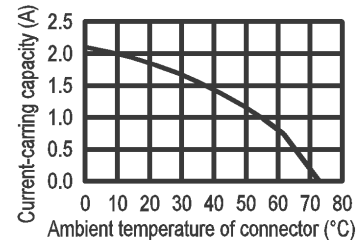
IEC 60603-7, FCC Part 68 Subpart F, UL 1863

- APPLICATIONS**

X.21, V.11, S0, ISDN, CSMA/CD 10BASE-T, 100BASE-TX, 100BASE-T4, 100BASE-T2, 1000BASE-T, TR 4/16/100, 100BASE-VG, ATM LAN 25/51/155, TP-PMD

- WARRANTY**

5-year limited component warranty



RELATED PRODUCTS

Product/Product Group	Spec Sheet #
Unloaded High Density Multimedia Panels _____	PSS.U-HD-MM-PP (A-OCT-08)
Unloaded Standard Density Multimedia Panels _____	N/A

SPECIFICATIONS