

## Keystone DIN-Rail Mounting Module

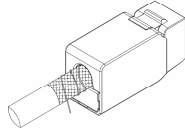
INSTALLATION INSTRUCTIONS

The following installation instructions are intended to be used when installing the following Signamax products:

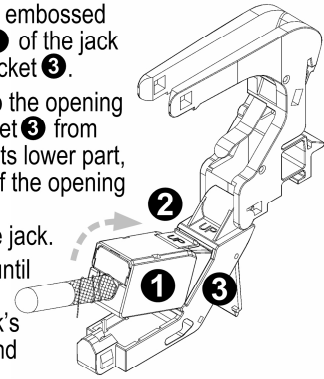
**KI-DIN-RMM-SL, KI-DIN-RMM**

**NOTE:** Screened keystone jack shown in these instructions used for example purposes only; actual product may have different keystone design.

- 1** Terminate cable conductors in a keystone jack per jack's installation instructions and, if using a screened jack, make sure the cable's screen is properly connected to the jack's screen

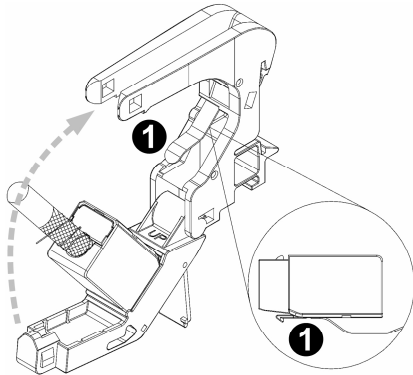


- 2** Locate "UP" signs **2** embossed on the locking latch **1** of the jack and the swinging bracket **3**. Insert the jack **1** into the opening in the swinging bracket **3** from behind, starting with its lower part, and catch the edge of the opening between two tabs on the bottom part of the jack.

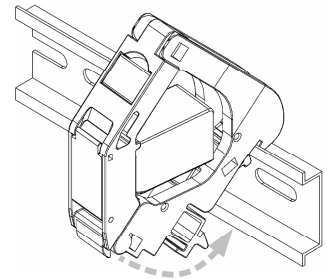


Push the jack firmly until it snaps securely in the opening. The jack's latch shall snap behind the upper edge of the opening.

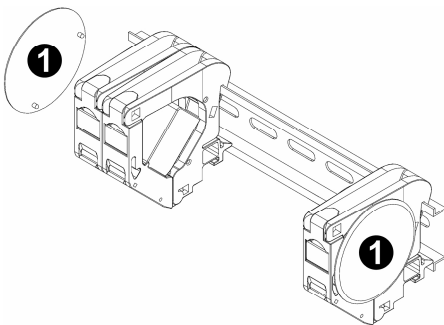
- 3** Check that the keystone jack sits securely. Lock the swinging bracket in place. If you are using a screened keystone jack, make sure the grounding spring **1** contacts the jack's metal housing providing grounding connection.



- 4** Install the DIN-rail mounting module on a DIN rail starting with its upper part, rotate the module and snap on until you hear a click.

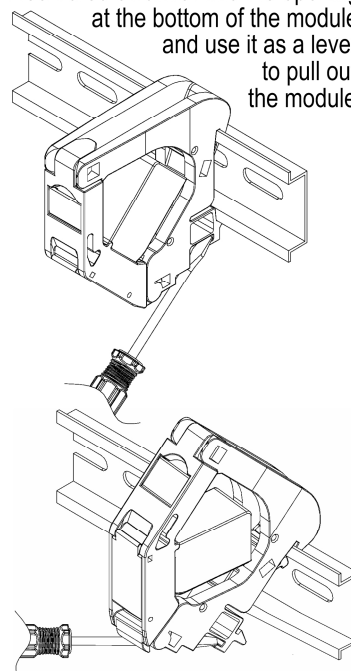


- 5** Place side lids **1** where necessary. When using DIN-rail mounting modules in series, side lids may be installed on end modules only.



### REMOVAL

Insert a screwdriver into the opening at the bottom of the module and use it as a lever to pull out the module.



### OPENING

Force apart the shoulders **1** of the fork holder at the top of the module to release the swinging bracket **2**. Pull the bracket to open.

