

Installation Instructions

Top-of-rack Panel Enclosure

The following installation instructions are intended to be used when installing the following Signamax connecting hardware:

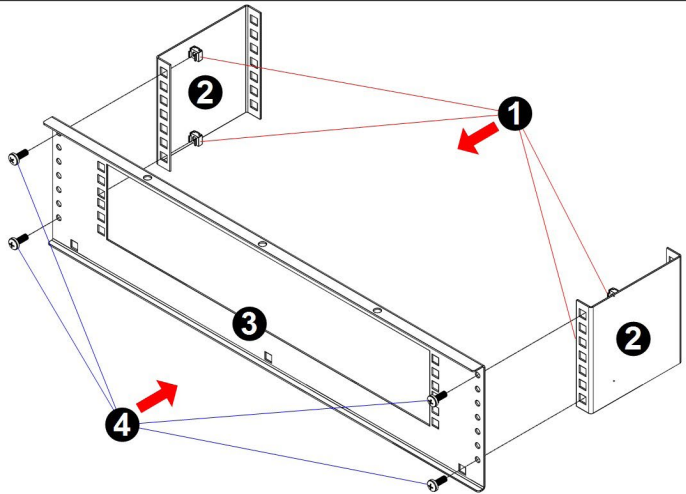
DC-TOR01-2U

NOTES:

1. Some parts and their details shown in these instructions may look slightly different in actual products.
2. All operations are independent and can be performed in any order.
3. For installation of panels, please, see corresponding product instructions.

MOUNTING FLANGES

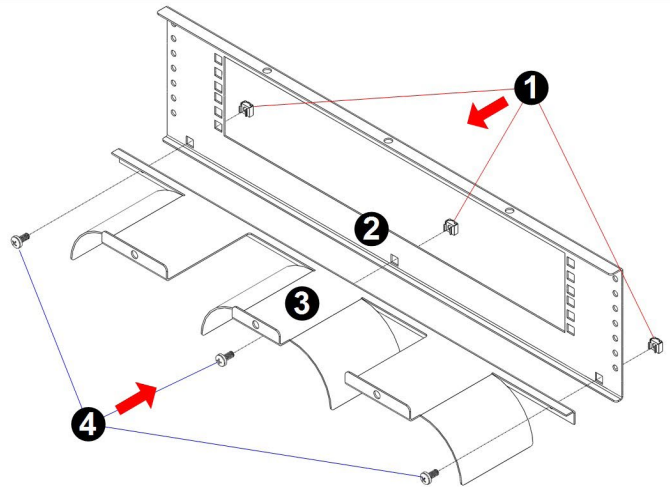
1. Insert four cage nuts **1** into square slots in two mounting flanges **2** provided with enclosure (choose one of two 5-in or 6-in deep sets).
Using different combinations of screw and nut slots allows to install enclosure at different levels.
2. Align frame **3** with mounting flanges at desired level and fix it using four Phillips screws **4** provided with enclosure.



PATCH CORD ORGANIZER

1. Insert three cage nuts **1** into three square slots in frame **2**.
2. Align patch cord organizer **3** with panel and fix it using three Phillips screws **4** provided with enclosure.

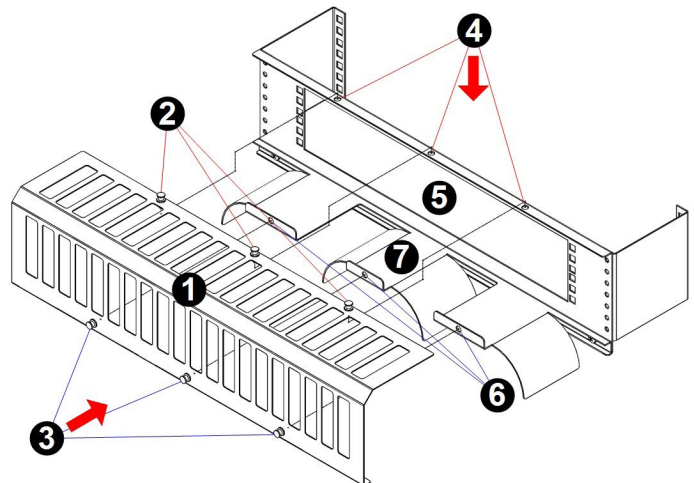
Enclosure may be used with patch cord organizer or without it depending on installation requirements.



GUARD COVER

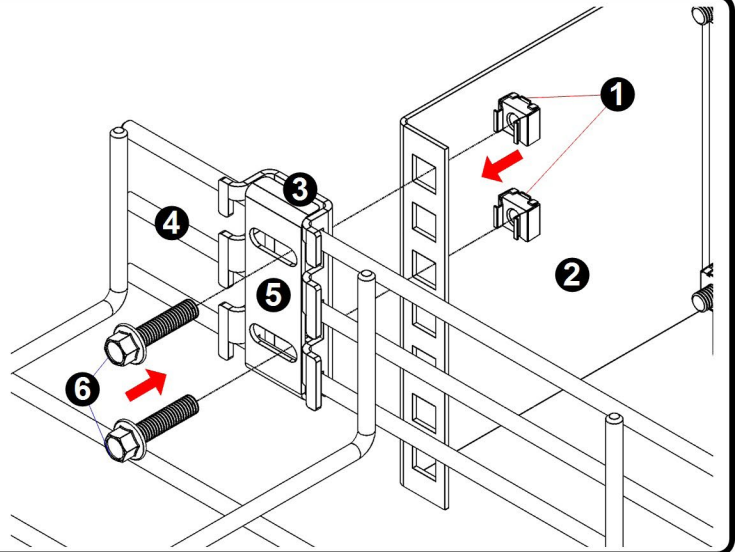
1. Position guard cover **1** with Signamax logo facing you in the bottom left corner. Make sure all panel fasteners **2** **3** are released by pulling their knobs up slightly.
2. Align three panel fasteners **2** on top of guard cover with three matching holes **4** on top of frame **5**. Lock fasteners pushing their knobs down.
3. Align three panel fasteners **3** at front of guard cover with three matching holes **6** on patch cord organizer **7**. Lock fasteners pushing their knobs down.

Enclosure may be used with guard cover or without it depending on installation requirements.



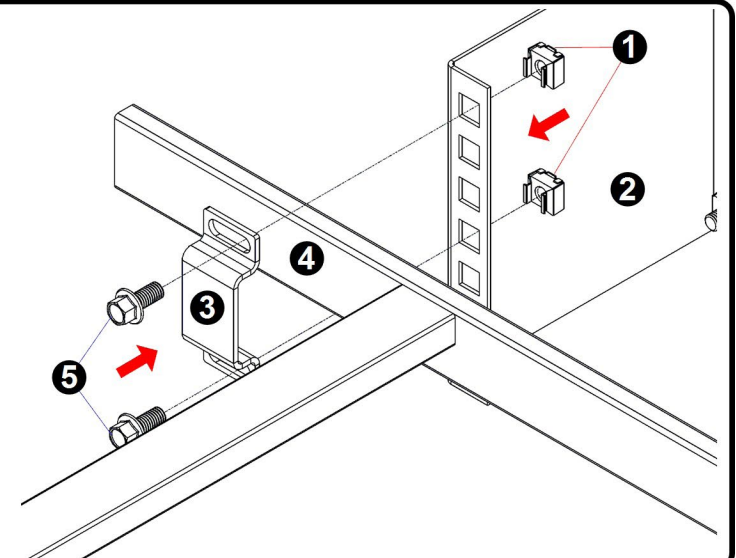
WIRE BASKET TRAY (SPIDER BRACKETS)

1. Insert four cage nuts **1** into square slots on rear sides of both mounting flanges **2**.
Using different pairs of slots allows to install enclosure at different levels.
2. Place spider brackets' "claw" parts **3** on wire basket tray's side grid **4** at convenient locations that allow all "claws" to hook on tray's horizontal wires.
3. Align spider brackets with mounting flanges and fasten using two planks **5** and screws **6** provided with brackets.



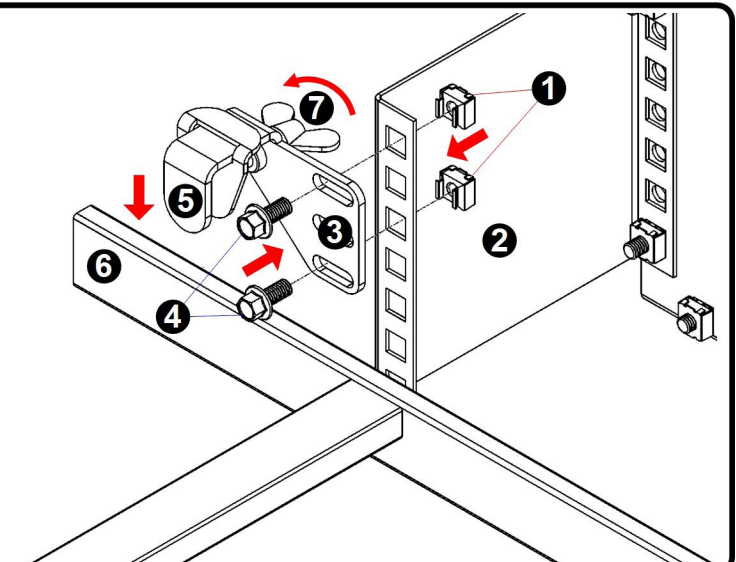
LADDER RACK ("U" BRACKETS)

1. Insert four cage nuts **1** into square slots on rear sides of both mounting flanges **2**.
Using different pairs of slots allows to install enclosure at different levels.
2. Place "U" brackets **3** on side rail of ladder rack **4** at convenient locations.
3. Align "U" brackets with mounting flanges and fasten using screws **5** provided with brackets.



FLANGE (CLAMP BRACKET)

1. Insert four cage nuts **1** into square slots on rear sides of both mounting flanges **2**.
Using different pairs of slots allows to install enclosure at different levels.
2. Align clamp brackets **3** with mounting flanges and fasten using screws **4** provided with brackets.
3. Position clamp brackets with their lips **5** on opposite sides of flange **6**. Tighten clamp screws **7**.



KEEPING YOUR WORLD CONNECTED