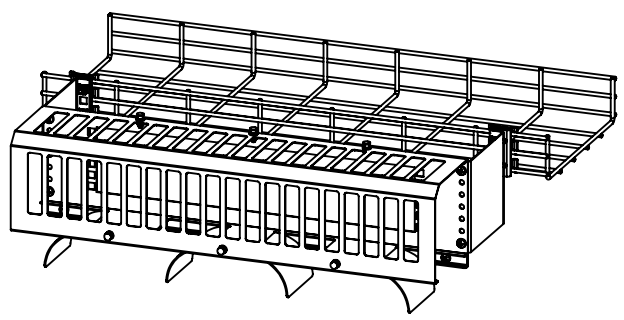


2

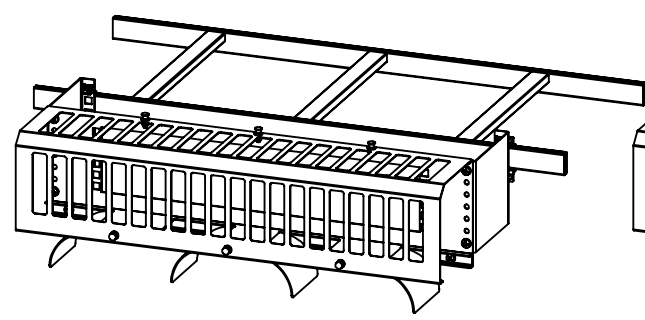
1

B

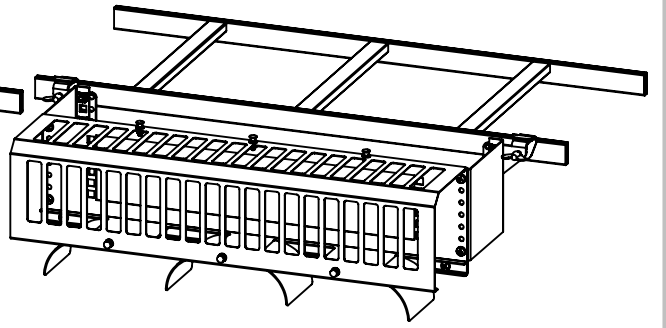
B



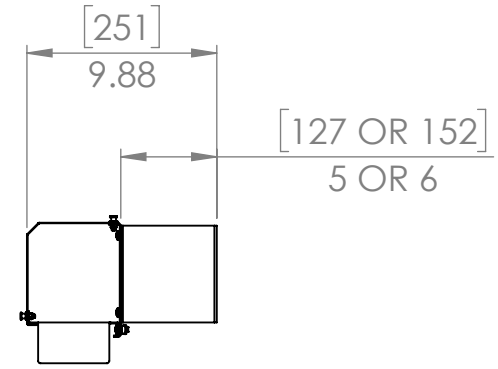
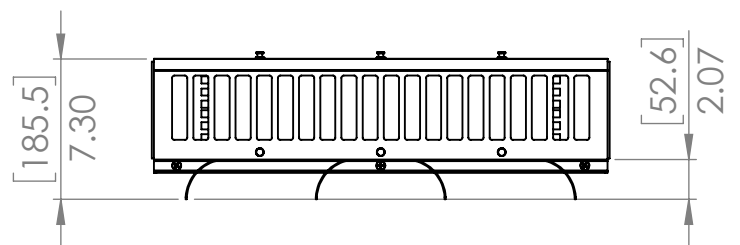
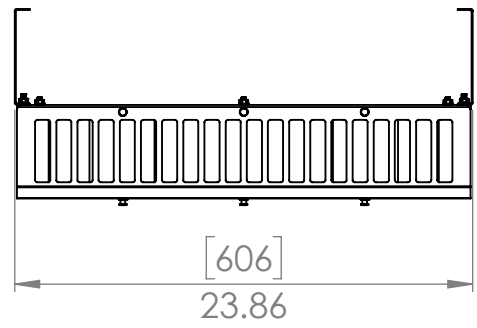
SPIDER BRACKET MOUNTING



"U" BRACKET MOUNTING



CLAMP BRACKET MOUNTING



A

A

PROPRIETARY AND CONFIDENTIAL
 THE INFORMATION CONTAINED IN THIS DRAWING IS THE SOLE PROPERTY OF SIGNAMAX, INC. ANY REPRODUCTION IN PART OR AS A WHOLE WITHOUT THE WRITTEN PERMISSION OF SIGNAMAX, INC. IS PROHIBITED.

		UNLESS OTHERWISE SPECIFIED:	NAME	DATE
		DIMENSIONS ARE IN [MM]/IN	DRAWN	
		TOLERANCES:	CHECKED	
		FRACTIONAL ±	ENG APPR.	
		ANGULAR: MACH ± BEND ±	MFG APPR.	
		TWO PLACE DECIMAL ±	Q.A.	
		THREE PLACE DECIMAL ±	COMMENTS:	
		INTERPRET GEOMETRIC TOLERANCING PER:		
		MATERIAL		
NEXT ASSY	USED ON	FINISH		
APPLICATION		DO NOT SCALE DRAWING		

SIGNAMAX
 999 N.W. 159TH DRIVE, MIAMI, FL 33169, U.S.A.

TITLE:
**DC-TOR01-2U
 TOP-OF-RACK PANEL ENCLOSURE
 2 RMS**

SIZE	DWG. NO.	REV
A	SPCS-PD.DC-TOR01-2U	A-MAR-17

SCALE: 1:10 SHEET 1 OF 1

2

1