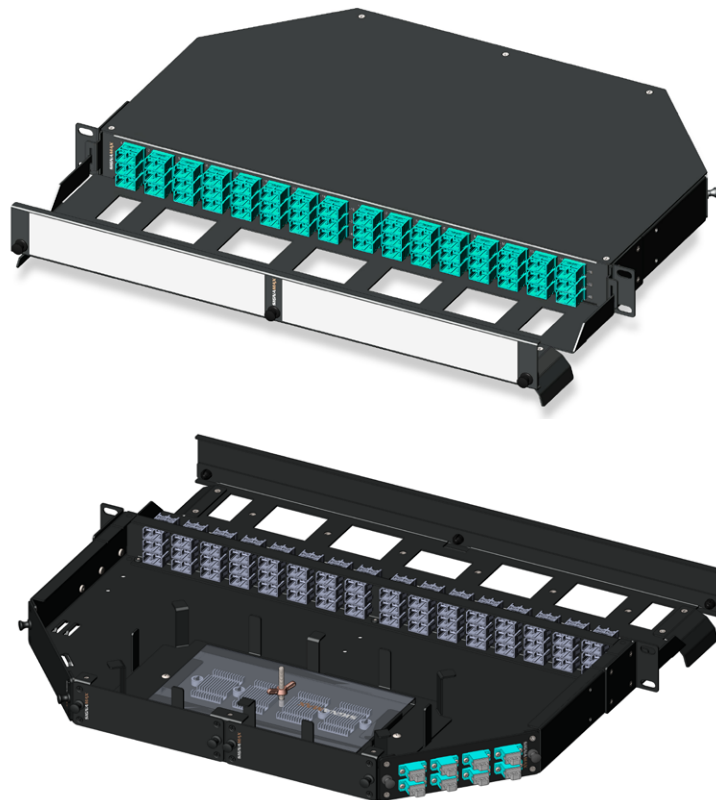


Product Specifications

Meet-Me-Room Passive Panel

KEY FEATURES

- Multiple applications for Service Providers, Colo-located and Hyperscale Data Centers
- Dense Fiber Enclosure with 144 Ports (288f) in a 1U footprint designed to distribute high count ribbon fiber trunks from the Point-of-Entry to the Meet-Me-Room
- Replicate dense Ribbon Fiber, up to 3,456f and trunk such as Prysmian's MassLink™ and Corning's RocketRibbon™
- Rapid Deployment of the transition from the Point-of-Entry to the Meet-Me-Room using Signamax's Just Right Density™ approach to distribute through either MTP® trunks or Fusion spliced applications
- Utilizes US Conec MTP® MT Elite®, SENKO CS® and SN® connectors to reduce port density by 40% while offering same low loss performance as an LC connector
- CS® and SN® connectors specifically designed for the QSFP-DD, QSFP-56 or OSFP transceivers used in next-gen Fiber Channel and 200/400Gb Ethernet
- Easy Order P/N for specific segments in the Data Center



ORDERING INFORMATION: MEET-ME-ROOM PASSIVE PANEL

PART NO.	DESCRIPTION
CORE8	
DCF89-AMT4D-M4144	1U Enclosure with 144 Ports (288f), OM4 for CORE8 applications, MTP to CS, 10/40/100 GbE
DCF08-AMT4D-M5144	1U Enclosure with 144 Ports (288f), OM5 for CORE8 applications, MTP to CS, 10/40/100 GbE
DCF08-AMT4D-SM144	1U Enclosure with 144 Ports (288f), SM for CORE8 applications, MTP to CS, 10/40/100 GbE
CORE12	
DCF12-AMT4D-M4144	1U Enclosure with 144 Ports (288f), OM4 for CORE12 applications, MTP to CS, 10/40/100 GbE
DCF12-AMT4D-M5144	1U Enclosure with 144 Ports (288f), OM5 for CORE12 applications, MTP to CS, 10/40/100 GbE
DCF12-AMT4D-SM144	1U Enclosure with 144 Ports (288f), SM for CORE12 applications, MTP to CS, 100/200 GbE

Use Part Number Configurator for additional Custom builds

ORDERING INFORMATION: DIRECT CONEX PANEL

PART NO.	DESCRIPTION
DCF12-NCSBD-M4144	1U Enclosure with 144 Ports (288f), OM4 Unloaded CS Panel, Up to 256 GbFC
DCF12-NCSBD-M5144	1U Enclosure with 144 Ports (288f), OM5 Unloaded CS Panel, Up to 256 GbFC
DCF12-NCSBD-SM144	1U Enclosure with 144 Ports (288f), SM Unloaded CS Panel, Up to 256 GbFC

ORDERING INFORMATION: EASY ORDER SEGMENT KITS

PART NO.	DESCRIPTION
40/100 GbE, Spine Switch to Leaf Panel (ToR or Eor) Segment	
DCFPP-100MTM4-144	2 x 1U Enclosures with 144 Ports (288f), 2 x 72 port MTP (F) Low Loss OM4 Fiber Trunks, Method B, (200 ft), 288 x 3M CS to LC Low Loss OM4 Duplex Fiber Patch Cords with offset pull tabs
100/200 GbE, Point-of-Entry to Meet-Me-Room Distribution Segment	
DCFPP-POEMTSM-144	2 x 1U Enclosures with 144 Ports (288f), 2 x 72 port MTP (F) Ultra Low Loss SM Fiber Trunks, Method B, (200 ft), 288 x 3M CS to LC Ultra Low Loss SM Duplex Fiber Patch Cords with offset pull tabs

Estimated total connector loss per segment of .82 dB including attenuation with variation of +/- .03 dB enables 100 GbE application speeds over parallel optics.

ORDERING INFORMATION: ACCESSORIES

PART NO.	DESCRIPTION
DCFP-ZUPM	Zero U Cable Manager, Patch Management
DCFP-CMFS	Internal Cable Management, Fiber Spool
DCFP-RCM	Rear Cable Management Module
DCFP-RBP	Blank Rear Panel

For complete list of Signamax's CS Patch Cords with pull tabs visit www.signamax.com

Product Specifications

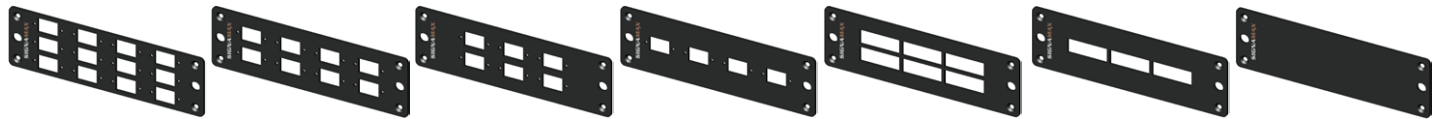
Meet-Me-Room Passive Panel

DCF[AA]-[B][CC][D][E]-[FF][GGG]

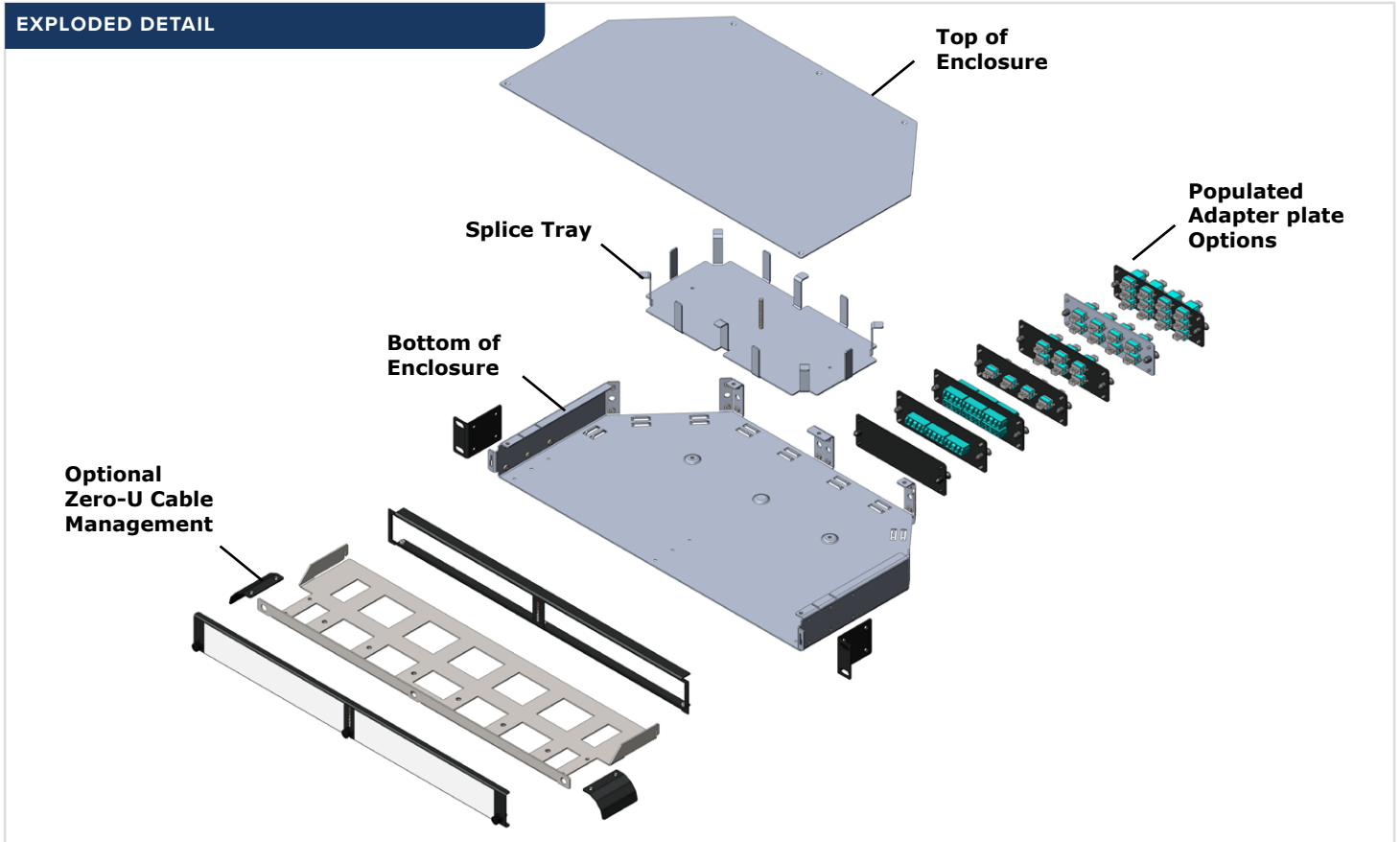
ORDERING CONFIGURATION

BASE APPLICATION [AA]	POLARITY [B]	FRONT PANEL [CC]	REAR ENTRY PANEL [D]	REAR ENTRY POSITON [E]	FIBER TYPE [FF]	PORT COUNT [GGG]
08: CORE8	A: Method A	MT: MTP to CS	4: 4 Rear Panels with 4 MTP Slots	L: Left to Right	M3: OM3	096: 096 Ports (192 CS to LC Fibers)
88: CORE8 over 12 fibers (Outer Edge)	B: Method B		6: 4 Rear Panels with 6 MTP Slots	R: Right to Left	M4: OM4	128: 128 Ports (256 CS to LC Fibers)
89: CORE8 over 12 fibers (Center)	C: Method C		8: 4 Rear Panels with 8 MTP Slots	D: Dual Fabric: Fab A: Left to Right Fab B: Right to Left	M5: OM5	144: 144 Ports (288 CS to LC Fibers)
12: CORE12			2: 4 Rear Panels with 12 MTP Slots		SM: OS2	
			M: 2 Rear Panels with 12 MTP Slots and 2 Rear Panels with 6 MTP Slots			

ADAPTER PLATE OPTIONS

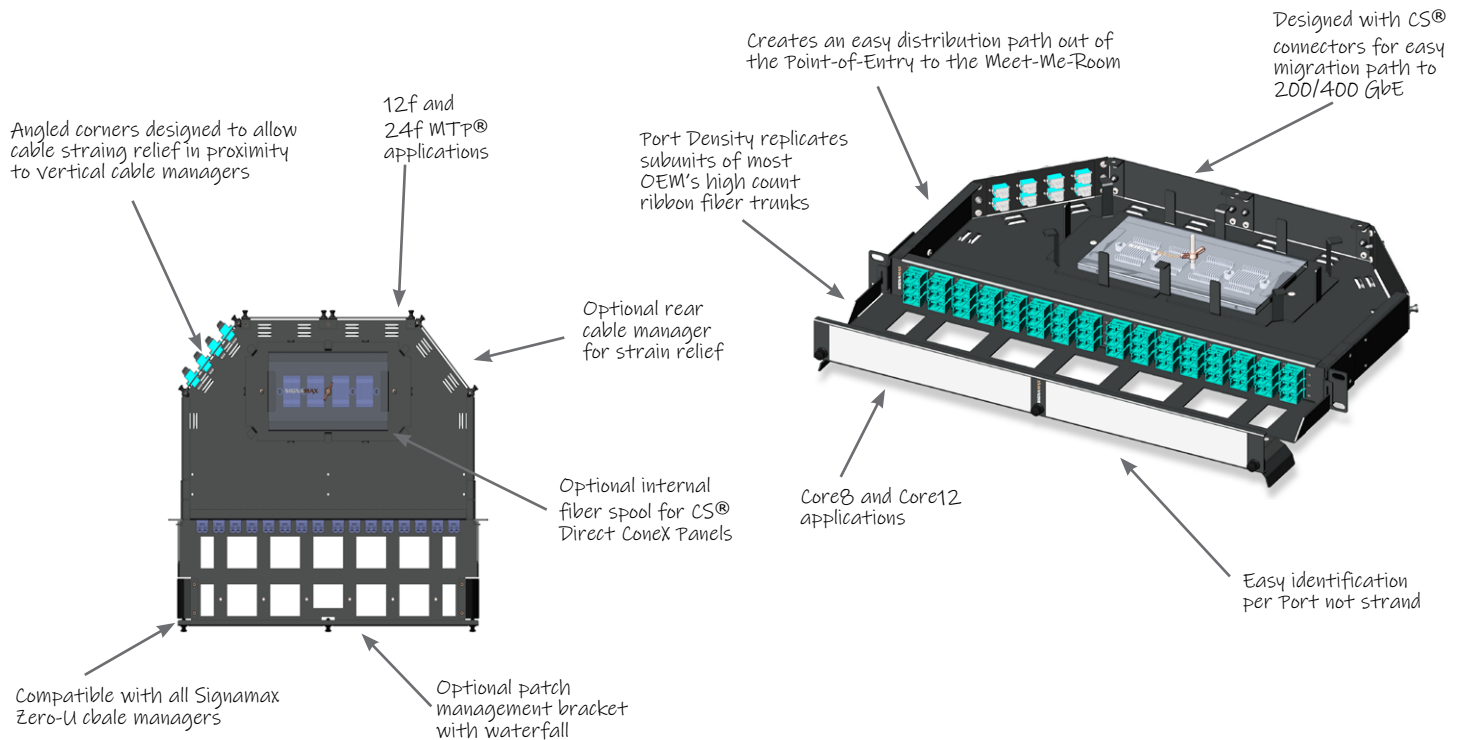


EXPLODED DETAIL



Product Specifications

Meet-Me-Room Passive Panel



■ SPECIFICATIONS

TRANSMISSION PERFORMANCE

ANSI/TIA-568-C.3: Insertion and return loss (100% tested)

Return loss:

OM4/OM5: ≤ 20 dB

OS2: ≤ 55 dB (8° angle polish)

*Insertion loss:

CS®/LC Connector:

OM4/OM5: 0.15 dB Typical, 0.25 dB Max

OS2: 0.15 dB Typical, 0.25 dB Max

MTP Elite® Performance:

OM4/OM5: 0.15 dB Typical, 0.35 dB Max

OS2: 0.15 dB Typical, 0.35 dB Max

*Typical is for all fibers/Max is for single fiber.

CONSTRUCTION

Enclosure:

Frame: Carbon Steel

Adapter Plates: Aluminum with Nylon push pins

Adapter Housing: Carbon steel

Mounting Screws: Carbon steel

Cable:

Cable Type: MTP®(M) to CS®, Internal breakout cord

Length: 12" (305 mm)

Fiber Size: 250 µm

Outer Jacket: OFNP (non-conductive, plenum-rated)

Strain Relief: Thermoplastic

CAPACITY

Front Adapter Plate:

96 Ports: 192 CS®/LC Fibers

128 Ports: 256 CS®/LC Fibers

144 Ports: 288 CS®/LC Fibers

MECHANICAL

OM4/OM5: < 0.2 dB change (per EIA-455-21A), 1000 cycles Max

OS2: < 0.3 dB change (per EIA-455-21A), 500 cycles Max

Connector Ferrule: Zirconia ceramic

End-Face Radius of Curvature: 0.39" (10 mm) < R < 1.18" (30 mm)

Apex Offset: < 50 µm

ENVIRONMENTAL CONDITIONS

Operating Temperature: -40 to 176 °F (-40 to 80 °C)

Operating RH: 93% Max (non-condensing)

DIMENSIONS

Enclosure: 1.71" H x 12.44" D x 18.07" W (43.5 x 316 x 459 mm)

Front Adapter Plate: 1.61" H x 0.51" D x 16.26" W (40.8 x 13 x 436 mm)

Rear Adapter Plates: 1.58" H x .06" D x 4.5" W (40 x 1.5 x 114 mm)

COMPLIANCE

ANSI/TIA-568.3-D, CENELEC EN 50173, ICEA S-83-596, IEC 60793-10, IEC 60793-2-10, ISO/IEC 11801 2nd Ed., ITU-T G.652.D, ITU-T G.657.A1, ITU-T G.657.A2/B2, ITU-T G.657.B3, TIA-492-AAAA-A, TIA-492-AAAC-B, TIA-492-AAAD, TIA-492-CAAB, TIA-604-10, UL 1666, UL 94 V-0

WARRANTY

5 - Year Limited Component