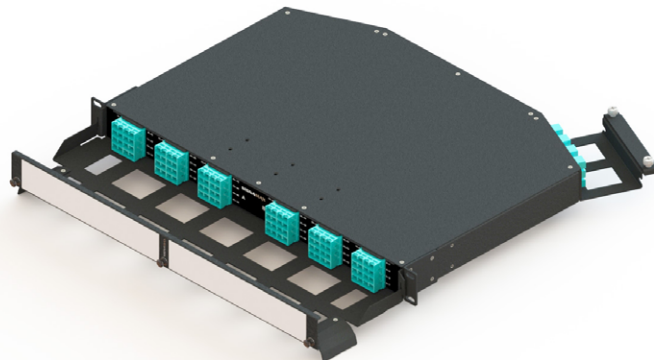


# Product Specifications

## Dual Fabric Passive Panel

### KEY FEATURES

- Dual Fabric Passive Panel with 96 ports (192f) in a 1U footprint designed for ToR deployments
- Designed for diversified pathways through segmented Fabrics A & B with 48 ports
- Multiple applications for Service Providers, Colo-located and Hyperscale Data Centers
- Rapid Deployment through Signamax's Just Right Density™ approach for the Core-Aggregation or Aggregation-Access segments and Spine/Leaf topologies
- Utilizes US Conec MTP® MT Elite®, SENKO CS® and SN® connectors to reduce port density by 40% while offering same low loss performance as an LC connector
- CS® and SN® connectors specifically designed for the QSFP-DD, QSFP-56 and OSFP transceivers used in next-gen Fiber Channel and 200/400Gb Ethernet
- Easy Order P/N for specific segments in the Data Center



### ORDERING INFORMATION: DUAL FABRIC PASSIVE PANEL

PART NO.	DESCRIPTION
<b>CORE8</b>	
DCF89-AMT4D-M4096	1U Enclosure with 96 Ports (192f), OM4 for CORE8 applications, MTP to CS, 40/100 GbE
DCF08-AMT4D-M5096	1U Enclosure with 96 Ports (192f), OM5 for CORE8 applications, MTP to CS, 40/100 GbE
DCF08-AMT4D-SM096	1U Enclosure with 96 Ports (192f), OS2 for CORE8 applications, MTP to CS, 40/100/200 GbE
<b>CORE12</b>	
DCF12-AMT4D-M4096	1U Enclosure with 96 Ports (192f), OM4 for CORE12 applications, MTP to CS, 40/100 GbE
DCF12-AMT4D-M5096	1U Enclosure with 96 Ports (192f), OM5 for CORE12 applications, MTP to CS, 40/100 GbE
DCF12-AMT4D-SM096	1U Enclosure with 96 Ports (192f), OS2 for CORE12 applications, MTP to CS, 40/100/200 GbE

Use Part Number Configurator for additional Custom builds

### ORDERING INFORMATION: DIRECT CONEX PANEL

PART NO.	DESCRIPTION
DCF12-NCSBD-M4096	1U Enclosure with 96 Ports (192f), OM4 Unloaded CS Panel, Up to 200 GbE or 256 GbFC applications
DCF12-NCSBD-M5096	1U Enclosure with 96 Ports (192f), OM5 Unloaded CS Panel, Up to 200 GbE or 256 GbFC applications
DCF12-NCSBD-SM096	1U Enclosure with 96 Ports (192f), OS2 Unloaded CS Panel, Up to 200 GbE or 256 GbFC applications

### ORDERING INFORMATION: EASY ORDER SEGMENT KITS

PART NO.	DESCRIPTION
<b>10/40 GbE, Aggregation to Access ToR Segment</b>	
DCFPPK-TORMTM4-096	2 x 1U Enclosures with 96 Ports (192f), 2 x 48 port MTP (F) Low Loss OM4 Fiber Trunks, Method B, (200 ft), 192 x 3M CS to LC Low Loss OM4 Duplex Fiber Patch Cords with offset pull tabs
<b>40/100 GbE, Core to Access ToR Segment</b>	
DCFPPK-CORMTSM-096	2 x 1U Enclosures with 96 Ports (192f), 2 x 48 port MTP (F) Ultra Low Loss SM Fiber Trunks, Method B (200 ft), 192 x 3M CS to LC Ultra Low Loss OS2 Duplex Fiber Patch Cords with offset pull tabs

Estimated total connector loss per segment of .82 dB including attenuation with variation of +/- .03 dB enables 100 GbE application speeds over parallel optics.

### ORDERING INFORMATION: ACCESSORIES

PART NO.	DESCRIPTION
DCFP-ZUPM	Zero U Cable Manager, Patch Management
DCFP-CMFS	Internal Cable Management, Fiber Spool
DCFP-RCM	Rear Cable Management Module
DCFP-RBP	Blank Rear Panel

For complete list of Signamax's CS Patch Cords with pull tabs visit [www.signamax.com](http://www.signamax.com)

# Product Specifications

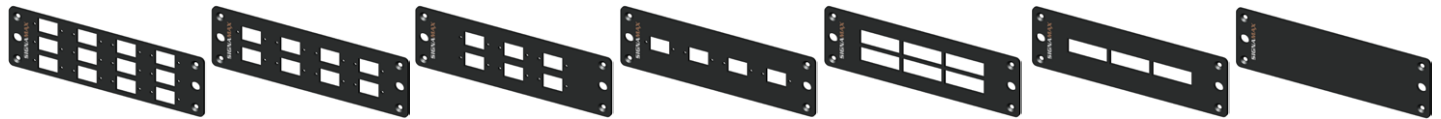
## Dual Fabric Passive Panel

### DCF[AA]-[B][CC][D][E]-[FF][GGG]

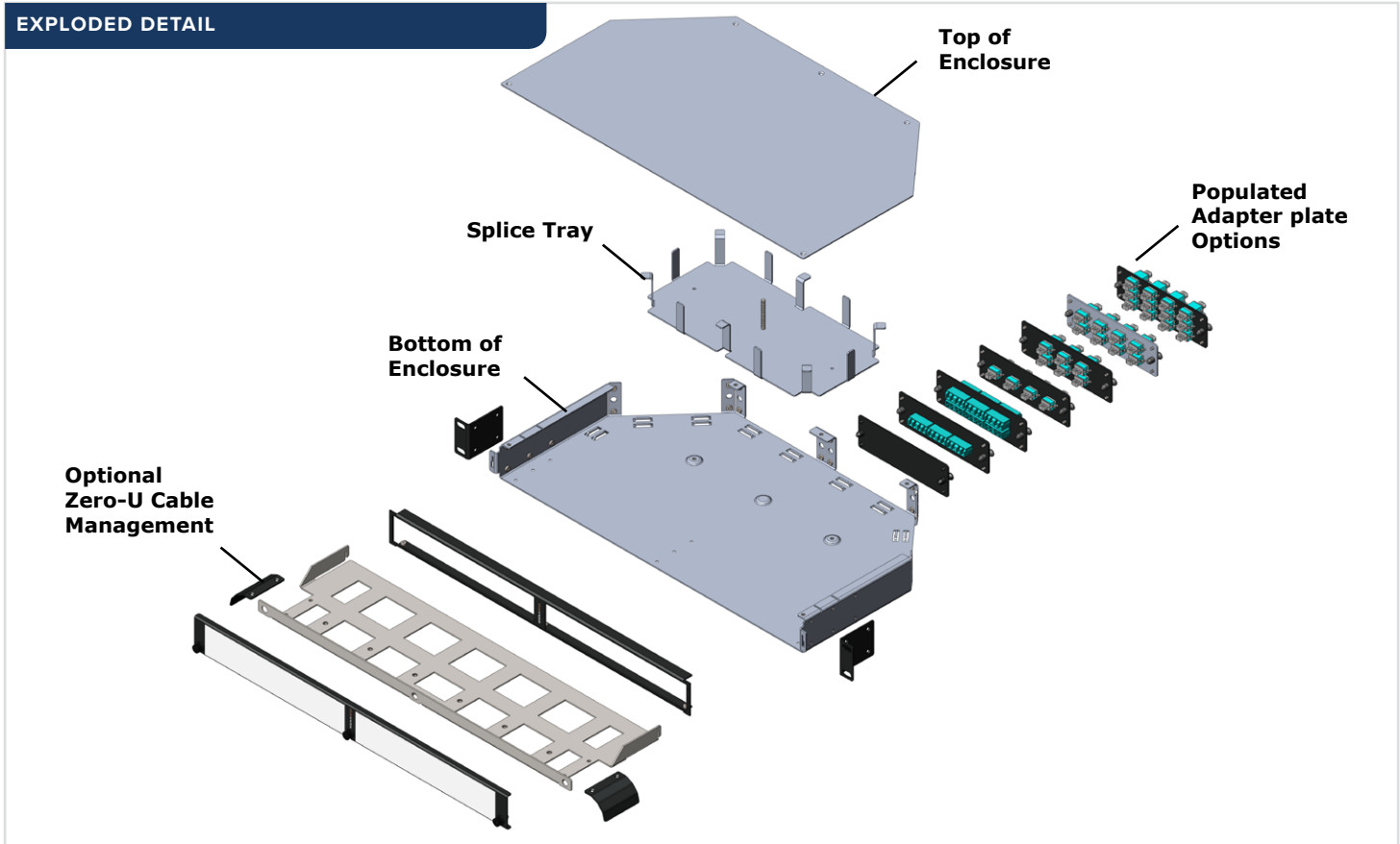
#### ORDERING CONFIGURATION

BASE APPLICATION [AA]	POLARITY [B]	FRONT PANEL [CC]	REAR ENTRY PANEL [D]	REAR ENTRY POSITON [E]	FIBER TYPE [FF]	PORT COUNT [GGG]
<b>08:</b> CORE8	<b>A:</b> Method A	<b>MT:</b> MTP to CS	<b>4:</b> 4 Rear Panels with 4 MTP Slots	<b>L:</b> Left to Right	<b>M3:</b> OM3	<b>096:</b> 096 Ports (192 CS to LC Fibers)
<b>88:</b> CORE8 over 12 fibers (Outer Edge)	<b>B:</b> Method B		<b>6:</b> 4 Rear Panels with 6 MTP Slots	<b>R:</b> Right to Left	<b>M4:</b> OM4	<b>128:</b> 128 Ports (256 CS to LC Fibers)
<b>89:</b> CORE8 over 12 fibers (Center)	<b>C:</b> Method C		<b>8:</b> 4 Rear Panels with 8 MTP Slots	<b>D:</b> Dual Fabric: Fab A: Left to Right Fab B: Right to Left	<b>M5:</b> OM5	<b>144:</b> 144 Ports (288 CS to LC Fibers)
<b>12:</b> CORE12			<b>2:</b> 4 Rear Panels with 12 MTP Slots		<b>SM:</b> OS2	
			<b>M:</b> 2 Rear Panels with 12 MTP Slots and 2 Rear Panels with 6 MTP Slots			

#### ADAPTER PLATE OPTIONS

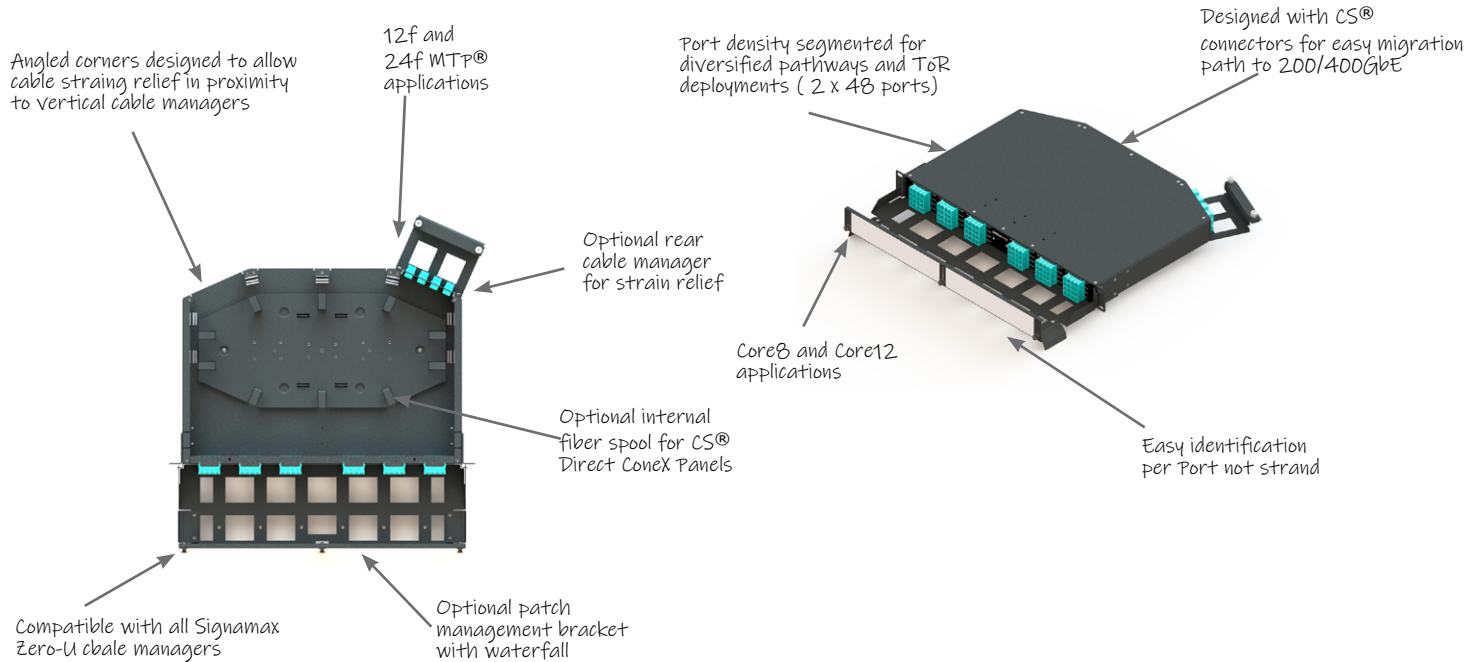


#### EXPLODED DETAIL



# Product Specifications

## Dual Fabric Passive Panel



## ■ SPECIFICATIONS

### TRANSMISSION PERFORMANCE

ANSI/TIA-568-C.3: Insertion and return loss (100% tested)

#### Return loss:

**OM4/OM5:** ≤ 20 dB

**OS2:** ≤ 55 dB (8° angle polish)

#### \*Insertion loss:

##### CS®/LC Connector:

**OM4/OM5:** 0.15 dB Typical, 0.25 dB Max

**OS2:** 0.15 dB Typical, 0.25 dB Max

##### MTP Elite® Performance:

**OM4/OM5:** 0.15 dB Typical, 0.35 dB Max

**OS2:** 0.15 dB Typical, 0.35 dB Max

\*Typical is for all fibers/Max is for single fiber.

### CONSTRUCTION

#### Enclosure:

**Frame:** Carbon Steel

**Adapter Plates:** Aluminum with Nylon push pins

**Adapter Housing:** Carbon steel

**Mounting Screws:** Carbon steel

#### Cable:

**Cable Type:** MTP®(M) to CS®, Internal breakout cord

**Length:** 12" (305 mm)

**Fiber Size:** 250 μm

**Outer Jacket:** OFNP (non-conductive, plenum-rated)

**Strain Relief:** Thermoplastic

### CAPACITY

#### Front Adapter Plate:

96 Ports: 192 CS®/LC Fibers

128 Ports: 256 CS®/LC Fibers

144 Ports: 288 CS®/LC Fibers

### MECHANICAL

**OM4/OM5:** < 0.2 dB change (per EIA-455-21A), 1000 cycles Max

**OS2:** < 0.3 dB change (per EIA-455-21A), 500 cycles Max

**Connector Ferrule:** Zirconia ceramic

**End-Face Radius of Curvature:** 0.39" (10 mm) < R < 1.18" (30 mm)

**Apex Offset:** < 50 μm

### ENVIRONMENTAL CONDITIONS

**Operating Temperature:** -40 to 176 °F (-40 to 80 °C)

**Operating RH:** 93% Max (non-condensing)

### DIMENSIONS

**Enclosure:** 1.71" H x 12.44" D x 18.07" W (43.5 x 316 x 459 mm)

**Front Adapter Plate:** 1.61" H x 0.51" D x 16.26" W (40.8 x 13 x 436 mm)

**Rear Adapter Plates:** 1.58" H x .06" D x 4.5" W (40 x 1.5 x 114 mm)

### COMPLIANCE

ANSI/TIA-568.3-D, CENELEC EN 50173, ICEA S-83-596, IEC 60793-10, IEC 60793-2-10, ISO/IEC 11801 2nd Ed., ITU-T G.652.D, ITU-T G.657.A1, ITU-T G.657.A2/B2, ITU-T G.657.B3, TIA-492-AAAA-A, TIA-492-AAAC-B, TIA-492-AAAD, TIA-492-CAAB, TIA-604-10, UL 1666, UL 94 V-0

### WARRANTY

5 - Year Limited Component